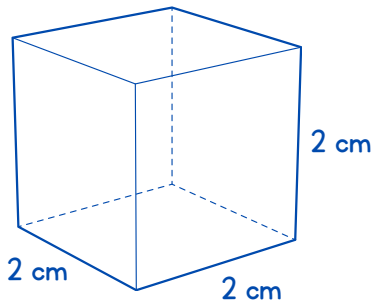


Name: _____

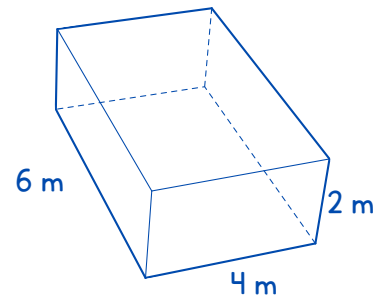
Date: _____

Finding Volume

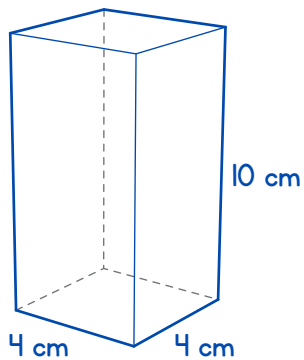
To find the volume of a rectangular prism, you multiply the length x width x height.
Find the volume of the following rectangular prisms.



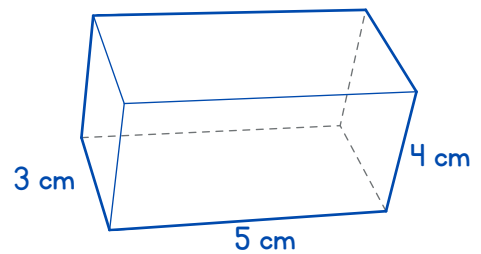
Volume _____



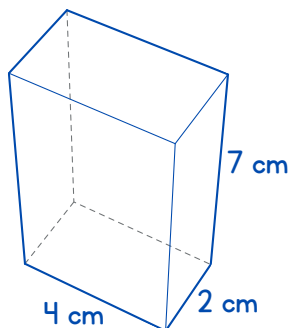
Volume _____



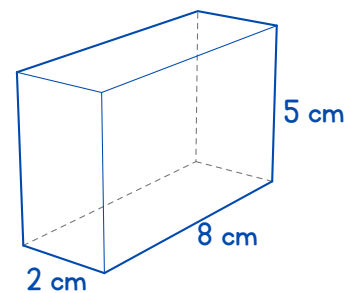
Volume _____



Volume _____



Volume _____



Volume _____