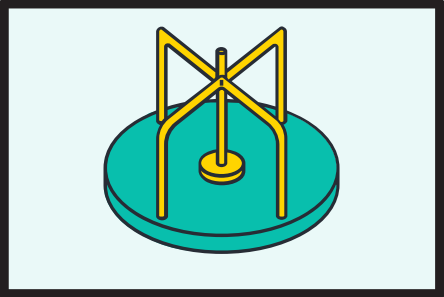


Name \_\_\_\_\_

# PLAYGROUND PERIMETER

Directions: Find the perimeter of each shape below.



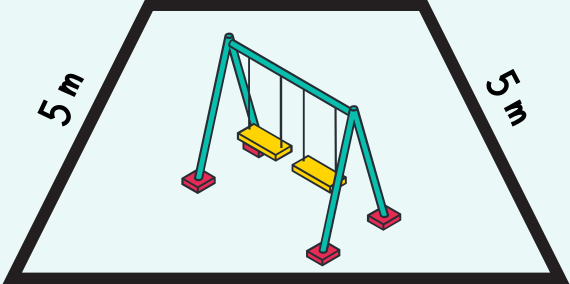
8 m

4 m

8 m

4 m

Answer \_\_\_\_\_



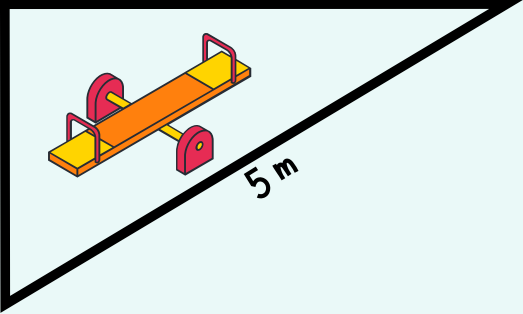
6 m

5 m

8 m

5 m

Answer \_\_\_\_\_

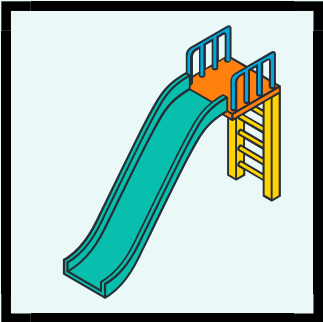


4 m

3 m

5 m

Answer \_\_\_\_\_



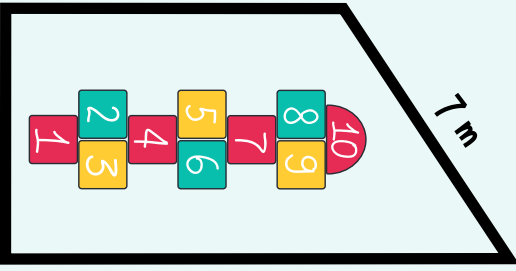
7 m

7 m

7 m

7 m

Answer \_\_\_\_\_



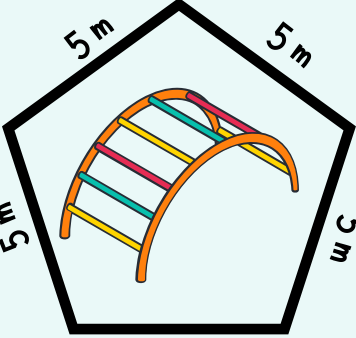
6 m

5 m

9 m

7 m

Answer \_\_\_\_\_



5 m

5 m

5 m

5 m

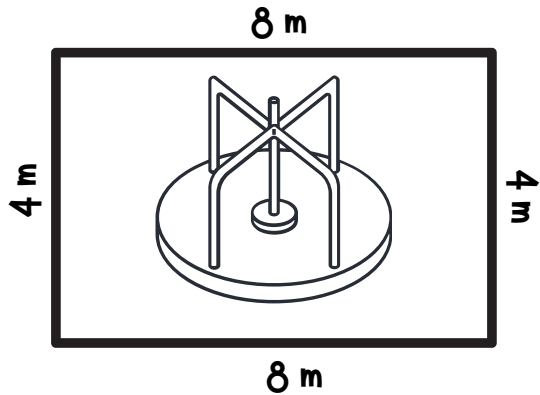
5 m

Answer \_\_\_\_\_

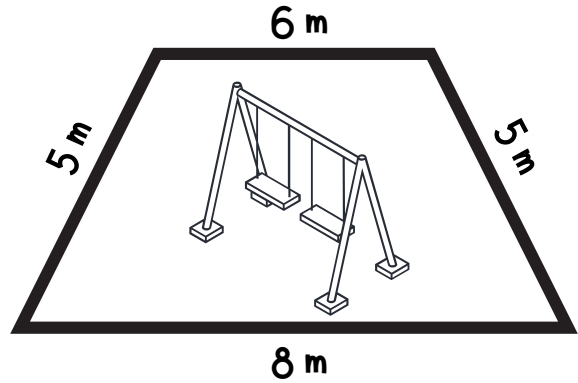
Name \_\_\_\_\_

# PLAYGROUND PERIMETER

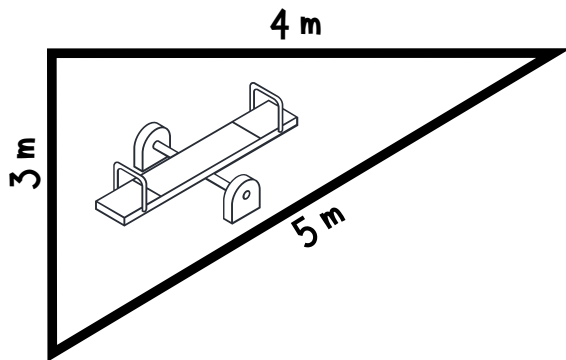
Directions: Find the perimeter of each shape below.



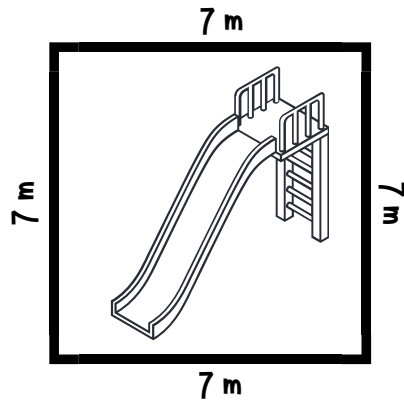
Answer \_\_\_\_\_



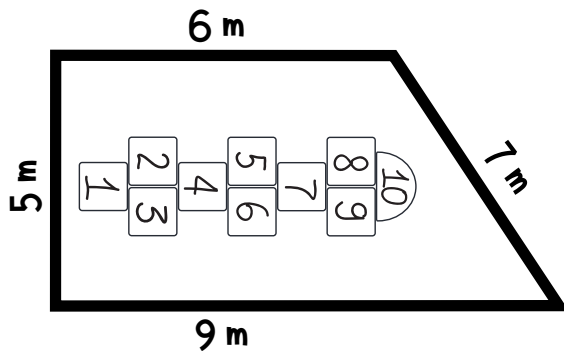
Answer \_\_\_\_\_



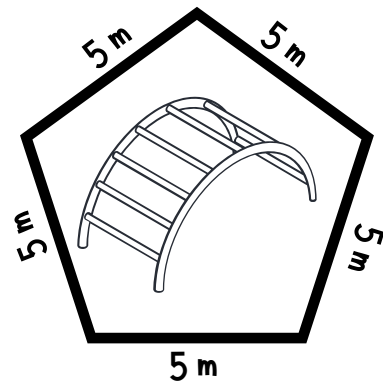
Answer \_\_\_\_\_



Answer \_\_\_\_\_



Answer \_\_\_\_\_



Answer \_\_\_\_\_