

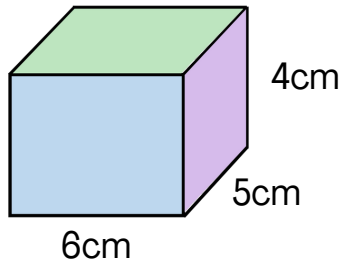
Name:

Date:

SURFACE AREA: CUBOIDS

Find the total surface area of the cuboids

1



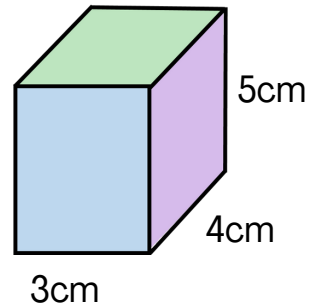
Front + Back = _____

Top + Bottom = _____

LHS + RHS = _____

Total = cm²

2



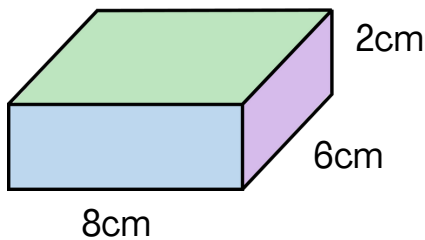
Front + Back = _____

Top + Bottom = _____

LHS + RHS = _____

Total = cm²

3



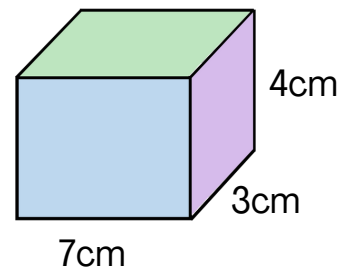
Front + Back = _____

Top + Bottom = _____

LHS + RHS = _____

Total = cm²

4



Front + Back = _____

Top + Bottom = _____

LHS + RHS = _____

Total = cm²

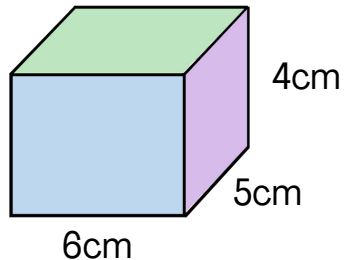
Name:

Date:

SURFACE AREA: CUBOIDS

Answers

1



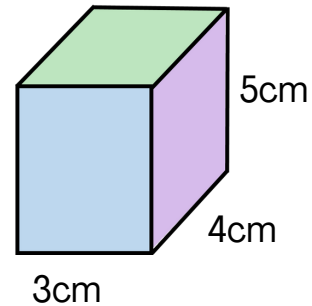
$$\text{Front + Back} = \frac{2 \times (6 \times 4) = 48}{}$$

$$\text{Top + Bottom} = \frac{2 \times (6 \times 5) = 60}{}$$

$$\text{LHS + RHS} = \frac{2 \times (4 \times 5) = 40}{}$$

$$\text{Total} = \boxed{148 \text{ cm}^2}$$

2



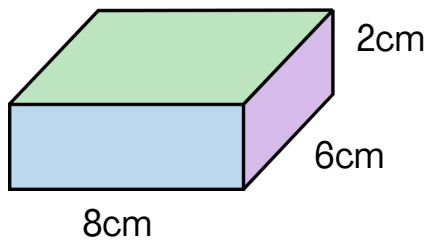
$$\text{Front + Back} = \frac{2 \times (3 \times 5) = 30}{}$$

$$\text{Top + Bottom} = \frac{2 \times (3 \times 4) = 24}{}$$

$$\text{LHS + RHS} = \frac{2 \times (5 \times 4) = 40}{}$$

$$\text{Total} = \boxed{94 \text{ cm}^2}$$

3



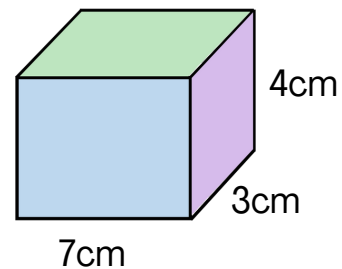
$$\text{Front + Back} = \frac{2 \times (8 \times 2) = 32}{}$$

$$\text{Top + Bottom} = \frac{2 \times (8 \times 6) = 96}{}$$

$$\text{LHS + RHS} = \frac{2 \times (2 \times 6) = 24}{}$$

$$\text{Total} = \boxed{152 \text{ cm}^2}$$

4



$$\text{Front + Back} = \frac{2 \times (7 \times 4) = 56}{}$$

$$\text{Top + Bottom} = \frac{2 \times (7 \times 3) = 42}{}$$

$$\text{LHS + RHS} = \frac{2 \times (4 \times 3) = 24}{}$$

$$\text{Total} = \boxed{122 \text{ cm}^2}$$